

MONGLA CEMENT FACTORY
MONGLA, BAGERHAT

(A Project of Sena Kalyan Sangstha)

PABX: 880-02-478846029

Fax: 880-02-55058401

E-mail: monglacementfactory@gmail.com

RE-TENDER NOTICE FOR SUPPLY OF FAN, SHAFT AND BEARING
FOR MILL-3 DUST COLLECTOR ASSEMBLY, MONGLA CEMENT
FACTORY

Tech-Commercial offer is invited from Bonafide Manufacturer/Supplier/Indenter for the supply of Fan, Shaft and Bearing for Mill-3 Dust Collector Assembly, Mongla Cement Factory from any reputed manufacturer of any origin/country to Mongla Cement Factory, Mongla, Bagerhat, Bangladesh. Interested Tenderers are to be dropped in the tender box kept in the office of Business Division-1, at the above address on **13/01/2025 by 11:00 AM BST** and will be opened on the same day at **11:30 hour BST** in the presence of Tenderers (if there are any). The item-wise tender schedule will be available in the **Business Division-1**, Sena Kalyan Sangstha, SKS TOWER (5th Floor), 7 VIP Road, Mohakhali, DHAKA-1206, upon submission of an application on letterhead pad and payment of Tk 500/- (Non-refundable) during office hours. No tender schedule will be sold on the tender opening day. Sena Kalyan Sangstha reserves the right to accept or reject any or all tenders without assigning any reason whatsoever. Bidders are requested to complete all information in Part-5; otherwise, their offer will be rejected. Thank you for your continued attention and participation.

General Manager
Business Division-1
Sena Kalyan Sangstha

Published Date: 22 December 2024

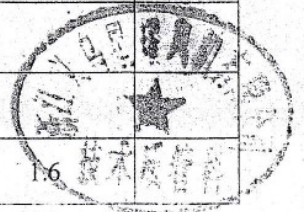
PART-5

TECHNICAL SPECIFICATION FOR SUPPLY OF FAN, SHAFT AND BEARING FOR MILL-3 DUST COLLECTOR ASSEMBLY

SL	Manufacturer details	MCF requirement	Supplier's offer	Remarks
1.	Country of origin	To be mentioned		
2.	Country of manufacture	To be mentioned		
3.	Port of shipping	To be mentioned		
FAN, SHAFT AND BEARING DETAILS				
4.	Specification	As per attached drawing and data sheet		
5.	Parts ID/component	As mentioned in the drawing and data sheet		
REFERANCE/PARAMETER				
6.	Purpose of fan	To pull fine Cement from Mill shell		All these data/information has to be treated only for supportive reference to facilitate appropriate design
7.	Product Blaine	4,000 square cm/gm or above		
8.	Production capacity	110 TPH		
9.	Dust collector type	Pulse Jet		
10.	Type of Damper	Rectangular		

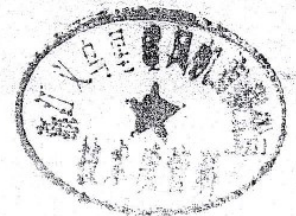
Other details				
11	Delivery (Up to Mongla Cement Factory)	To be mentioned by supplier		
12	Warranty	To be mentioned the duration of warrantee with effect from the date of successfully installation (Not less than 12 months)		
13	Performance Guarantee	10% as a PG of CFR price.		
14	Local Transportation	To be provided by supplier.		To be quoted separately BDT
15	Inspection & Test	Third Party (SGS, Bureau Veritas, as applicable etc.) and cost in this respect borne by supplier.		
16	Mode of payment	70% payment will be made after Fan, Shaft and Bearing for Mill-3 Dust Collector Assembly reaches at Mongla/Chattogram Port. 30% payment will be made after it reaches at Mongla Cement Factory. or Deferred L/C 90 days. or Deferred L/C 120 days.		
17	Latest shipment date	To be mentioned		
18	Experience (Similar)	To be mentioned		
19	H.S code	To be mentioned		
20	LC opening Bank	LC Issuing from Trust Bank, BD (Others Bank will not be accepted)		

浙江义乌星耀风机有限公司 Zhejiang Yiwu Xingyao Fans Co.,Ltd		主轴尺寸检查记录 Dim. Insp. Record For shaft		编号 Ref.No.: 22	
项目名称 Item Name	Sena Kalyan Sangstha Mongla Cement Factory 3rd Cement Grinding Mill Project	合同号 Contract No.	SKS-P-E-003	数量 Quantity	1
卖方 Supplier		设备名称 Eqt.Name		材质 Material	45
生产号 Mfg.No.		零件名称 Part Name	主轴 shaft	图号 Dwg.No.	TH375D20
设备号 Item No.		零件编号 Part No.	140636	单重(kg) Single weight	
操作名称: 机加工 Operation: Machine 梅林庆 吴国伟			适用标准: Applicable standard:		
部件简图 sketch of the part					
序号 No.	检查项目 Inspection item	设计尺寸、公差 Designed Dimension /Tolerance	实测结果 Actual Dimension	表面粗糙度 Surface roughness	是否合格 OK/Not
1	直径, D1 Diameter	$\Phi 100^{+0.025}_{+0.003}$	$\Phi 100.025$		
2	长度, L1 Length	45	45		
3	表面粗糙度, Ra1 Surface roughness	0.8		0.8	
4	直径, D2 Diameter	$\Phi 100^{+0.025}_{+0.003}$	$\Phi 100.025$		
5	长度, L2 Length	45	45		
6	表面粗糙度, Ra2 Surface roughness	0.8		0.8	
7	直径, D3 Diameter	$\Phi 85^{+0.025}_{+0.003}$	$\Phi 85.025$ $\Phi 85.02$		
8	长度, L3 Length	168	168		
9	表面粗糙度, Ra3 Surface roughness	1.6		1.6	

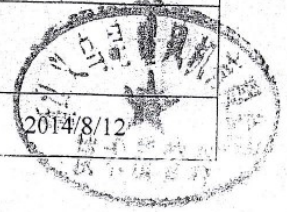




	Diameter				
2	直径, Diameter	D2	$\phi 1270 \pm 2$	$\phi 1270$	OK
3	直径, Diameter	D3	$\phi 1310 \pm 3$	$\phi 1305$	OK
4	直径, Diameter	D4	$\phi 861 \begin{smallmatrix} 0 \\ -2 \end{smallmatrix}$	$\phi 860$	OK
5	直径, Diameter	n- ϕd	24- $\phi 15'$	24- $\phi 15$	OK
6	直径, Diameter	n'- $\phi d'$	24- $\phi 15$	24- $\phi 15$	
7	长度, Length	L	285 ± 2	284	OK
8	焊接外观尺寸检查 Inspecting dime of the welding seam				OK
检测结论 Conclusion: OK					
检验员 Inspector		王胜明 Wangshengming		日期 Date	2014/7/11



浙江义乌星耀风机有限公司 Zhejiang Yiwu Xingyao Fans Co.,Ltd		轴承座尺寸检查记录 Dimension Inspection Record Of Bearing housing		编号 Ref.No.: 36	
项目名称 Item Name	Sena Kalyan Sangstha Mongla Cement Factory 3rd Cement Grinding Mill Project	合同号 Contract No.	SKS-P-E-003	数量 Quantity	1
卖方 Supplier		设备名称 Eq't Name		材质 Material	HT250
生产号 Mfg.No.		零件名称 Part Name	轴承座 Bearing housing	图号 Dwg.No.	YTH375
设备号 Item No.		零件编号 Part No.	140836	单重(kg) Single weight	
操作名称: 机加工 Operation: Machine 胡新志			适用标准: Appliable standard:		
部件简图 sketch of the part					
序号 No.	检查项目 Inspection item	设计尺寸, 公差 Designed dim./Tolerance	实测结果 Actual Dim.	表面粗糙度 Surface roughness	是否合格 OK/Not
1	直径 Diameter, D1	$\Phi 215^{+0.030}_{-0.016}$	$\Phi 215.01$ $\Phi 215.00$		
2	直径 Diameter, D2	$\Phi 215^{+0.030}_{-0.016}$	$\Phi 215.01$ $\Phi 215.01$		
3	高度 Height, H	375^0_{+1}	375		
4	高度 Height, h	79	80		
5	长度 Length, B	700	700		
6	宽度 Width, A	620	620		
7	直径 Diameter, 4-φd	4-φ36	4-φ36		
8	粗糙度 Surface Roughness, Ra	6.3		6.3	
检测结论 Conclusion:合格					
检验员 Inspector	贾祝良		日期 Date	2014/8/12	

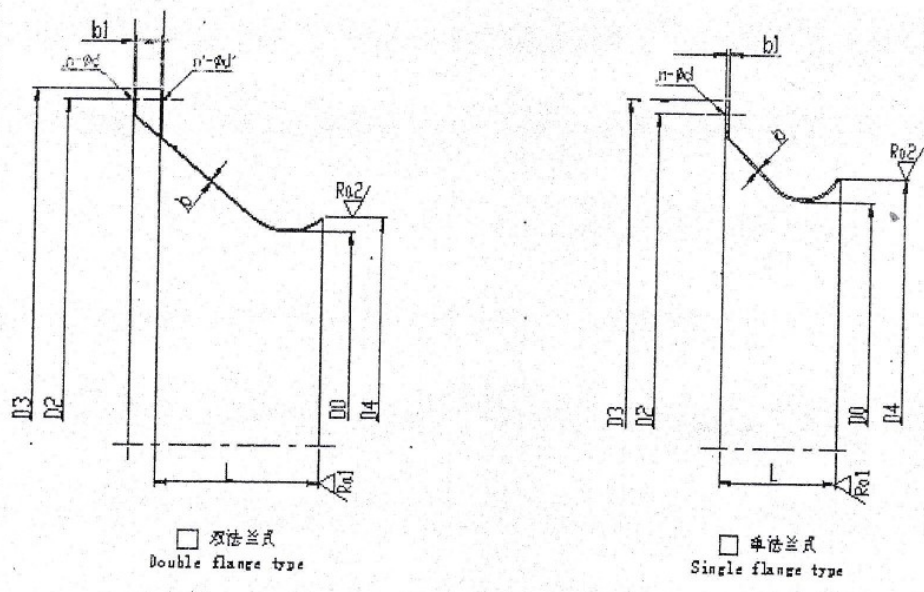




浙江义乌星耀风机有限公司 Zhejiang Yiwu Xingyao Fans Co.,Ltd		进风口尺寸检查记录 Dimension Inspection Record For Collector		编号 Ref.No.: 140550	
项目名称 ItemName	Sena Kalyan Sangstha Mongla Cement Factory 3rd Cement Grinding Mill Project	合同号 Contract No.	SKS-P-E-003	数量 Quantity	1
卖方 Supplier	义乌星耀风机有限公司 XY Fans Co.,Ltd	设备名称 Eqt.Name	离心风机 Centrifugal Fan	材质 Material	Q235B
生产号 Mfg.No.		零件名称 Part Name	进风口 Collector	图号 Dwg.No.	5F-SL1300DF 00
设备号 Item No.	561FN8	零件编号 Part No.	140550	单重(kg) Single weight	

操作名称: 加工
Operation: Machine

部件简图 sketch of the part



序号 No.	检查项目 Inspection item	设计尺寸、公差 Designed Dim. /Tolerance	实测结果 Actual Dimension	表面粗糙度 Surface roughness	是否合格 OK/Not OK
1	直径, D0	$\phi 808 \pm 3$	$\phi 808$		OK



10	直径, D4 Diameter	$\Phi 80^{+0.021}_{+0.002}$	$\Phi 80.015$ $\Phi 80.01$		
11	长度, L4 Length	170	170		
12	表面粗糙度, Ra4 Surface roughness	1.6		1.6	
13	宽度, B4 Width	$22^{0}_{-0.052}$	22.96		
14	表面粗糙度, Rb4 Surface roughness	3.2		3.2	
15	宽度, B3 Width	$22^{0}_{-0.052}$	21.95		
16	表面粗糙度, Rb3 Surface roughness	3.2		3.2	
17	圆角半径, r1 Radius	R2	R2		
18	圆角半径, r2 Radius	R2	R2		
19	圆角半径, r3 Radius	R2	R2		
20	圆角半径, r4 Radius	R2	R2		
21	径向跳动, P1 radial Flop	0.025	0.025		
检测结论 Conclusion:					
合格					
检验员 Inspector	贾祝良	日期 Date	2014/6/21		

