

MONGLA CEMENT FACTORY

MONGLA, BAGERHAT

(A Project of Sena Kalyan Sangstha)

PABX: 880-02-478846029

Fax: 880-02-55058401

E-mail: monglacementfactory@gmail.com

**TENDER NOTICE: TIME EXTENSION FOR SUPPLY OF GIRTH GEAR & PINION OF
MILL-1 AND 1800 PCS CHAIN LINK OF FINE BUCKET ELEVATOR OF MILL-1**

Tech-Commercial offer is invited from Bonafide Manufacturer/Supplier/Indenter for the supply of Girth Gear & Pinion of Mill-1 and 1800 pcs Chain Link of Fine Bucket Elevator of Mill-1 from any reputed manufacturer of any origin/country to Mongla Cement Factory, Mongla, Bagerhat, Bangladesh. Interested Tenderers are to be dropped in the tender box kept in the office of Business Division-1, at the above address on **27/10/2024 by 11:30 AM BST instead of 16/10/2024 by 11:30 hours BST** and will be opened on the same day at **12:00 hour BST** in the presence of Tenderers (if there are any). The item-wise tender schedule will be available in the **Business Division-1**, Sena Kalyan Sangstha, SKS TOWER (5th Floor), 7 VIP Road, Mohakhali, DHAKA-1206, upon submission of an application on letterhead pad and payment of Tk 1000/- (Non-refundable) during office hours. No tender schedule will be sold on the tender opening day. Sena Kalyan Sangstha reserves the right to accept or reject any or all tenders without assigning any reason whatsoever. Thank you for your continued attention and participation.

Deputy Director General
Business Division-1
Sena Kalyan Sangstha

Published Date: 14 October 2024

PART-5

**TECHNICAL SPECIFICATION FOR SUPPLY AND ERECTION
OF GIRTH GEAR AND PINION OF MILL-1**

SL	Manufacturer details	MCF requirement	Supplier's offer	Remarks
1	Country of origin	Any reputed manufacturer		
2	Country of manufacture	To be mentioned		
3	Port of shipping	To be mentioned		

RPM and Line Shaft parameter

4	Gear box output RPM	93.765		
5	Line shaft diameter	Dia : 300 mm, P6		
6	Mill RPM	16.5		

Girth Gear details

7	Type of Gear	Spur gear		
8	Number of teeth	182 Nos		
9	Outer diameter of Gear	5460 mm		
10	Width	600 mm		
11	Depth of Teeth	65 mm		
12	Pitch Diameter	5400 mm		
13	Radial Diameter	5330 mm		
14	Module	30		
15	Pinion	Pinion should be designed as per Gearbox output RPM (93.765), line shaft diameter (300 mm) and Mill RPM (16.5) as well as as per the dimension/ parameter of Girth gear		Pinion should be compatible with Girth gear
16	Shafting	18CrNiMo7-6 285HB		
17	Casing	GJS400 - 119HB		
18	Standard of Heat Treatment	Case Hardened 58HRC		
19	Bearing type and Size	Cylindrical roller bearing of dia : 240 mm Spherical roller bearing dia : 220 mm, 240 mm and 460 mm		

20	Lubrication arrangement and type	Injection and sprayed		
----	----------------------------------	-----------------------	--	--

Other Details

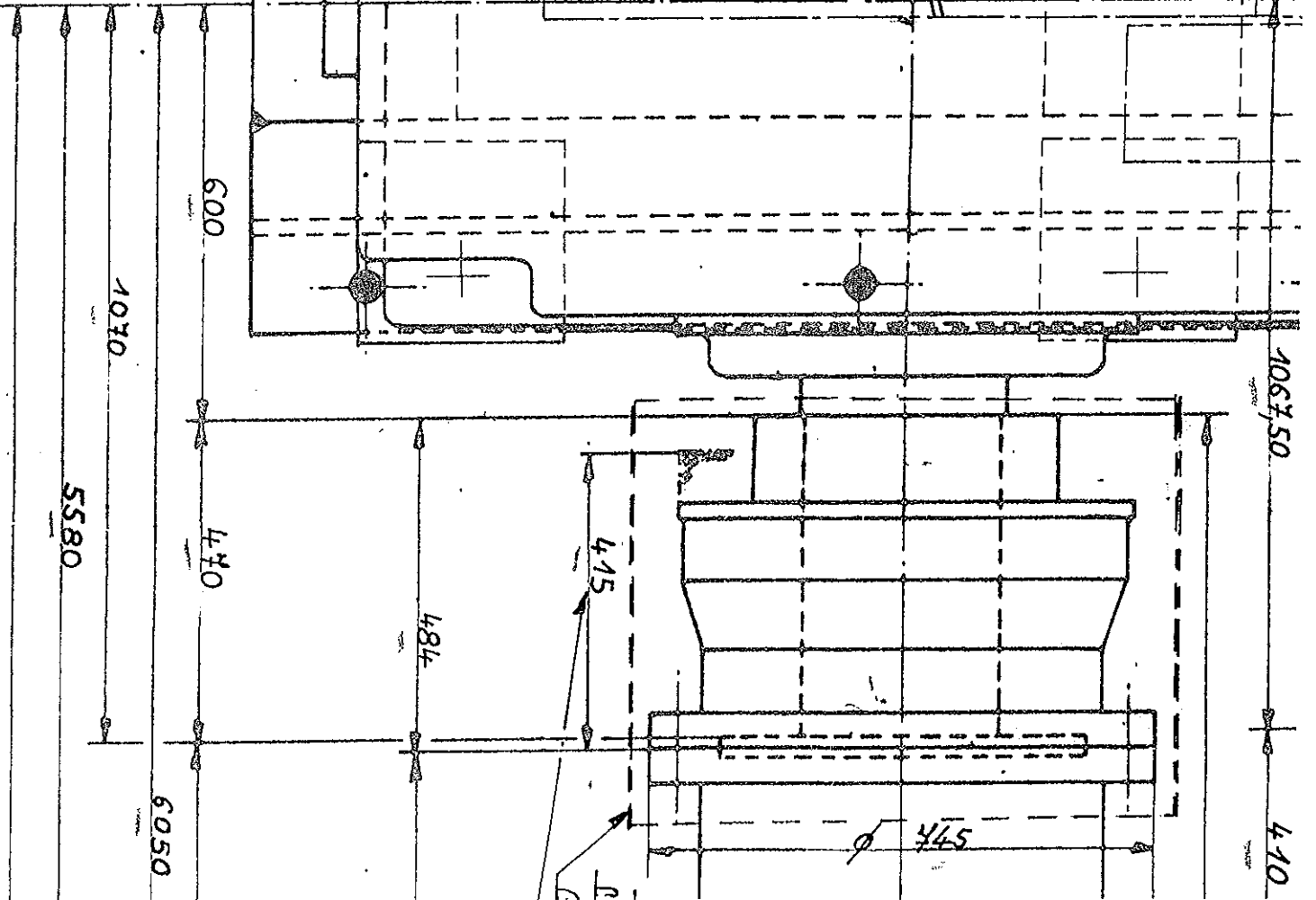
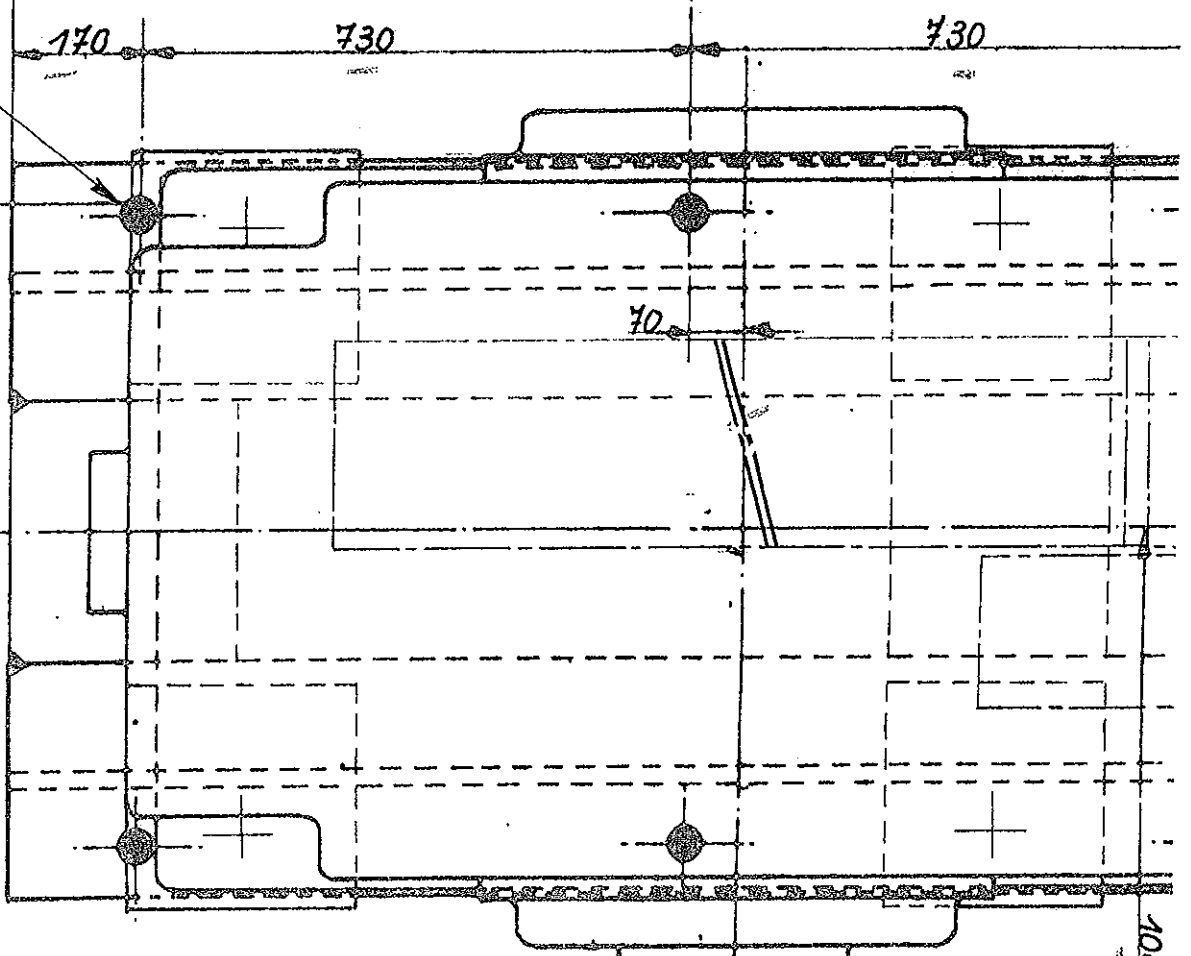
21	Tools for Dismantling (Removal & downing) and Installation	To be provided by supplier		Details to mentioned a Installation tools be handed over Buyer aft installation works
22	Installation and commissioning	To be done by supplier.		Service charge is be included w goods price
23	Delivery time	To be mentioned by supplier		
24	Documentation	Supplier should provide 02 sets of as built drawing of liner comprising of all details both in printed and soft version.		
25	Warranty	From the of successful installation (Not less than 12 months).		
26	Performance Guarantee	10% of CFR price.		
27	Local Transportation	Transported from port to factory site by supplier		
28	Accommodation & Meals for Engineering Supervisors	Will be provided by Buyer.	Supplier to mentioned the numb of Engineering Supervisors	
29	Special Notes	Interested Bidder mandatorily should visit and inspect Girth gear and Pinion of Mill-01 in order to confirm accurate dimension and data to ascertain exact specification		
30	Spare parts	Bearing and Seal as deemed necessary		To be quoted separately
31	Installation and commissioning along with alignment of ball mill drive system	To be done by supplier.		To be quoted separately
SL	Manufacturer details	MCF requirement	Supplier's offer	Remarks
32	Logistics for downing (existing) and lifting (new) of Gearbox	To be done by supplier.		To be quoted separately
33	Inspection & Test	Third Party (SGS, Bureau Veritas, as applicable etc.)		
34	Mode of payment	70% payment will be made after Girth Gear and Pinion of Mill-1 reaches at Mongla/Chittagong Port. 30% payment will be made after Girth Gear and Pinion of Mill-1 reaches		

		Mongla Cement Factory. or Deferred L/C 90 days. or Deferred L/C 120 days.		
35	Latest shipment date	To be mentioned		
36	Experience (Similar)	To be mentioned		
37	H.S code	To be mentioned		

2650

*Code N° 90109602 Accouplement Flexident Z :
isolé, Avant trou de stock : 70 Alésage maxi : 190
Order N° 90109602 Flexident insulated coupling
Rough bore : 70 bore maxi : 190 (bore with key)
Recul des couvercles
Minimum clearance required for aligning*

*8 trous ϕ 52 H15 pour boulons de
Fondation non fournis par EGR.
8 holes ϕ 52 H15 for mounting belts
not supplied by EGR.*



PART-5

**TECHNICAL SPECIFICATION FOR SUPPLY OF 1800 PCS CHAIN LINK OF FINE
BUCKET ELEVATOR OF MILL-1**

Specification:

SL	Manufacturer details	MCF requirement	Supplier's offer	Remarks
1	Country of origin	Any reputed manufacturer of any origin		
2	Country of manufacture	To be mentioned		
3	Port of shipping	To be mentioned		

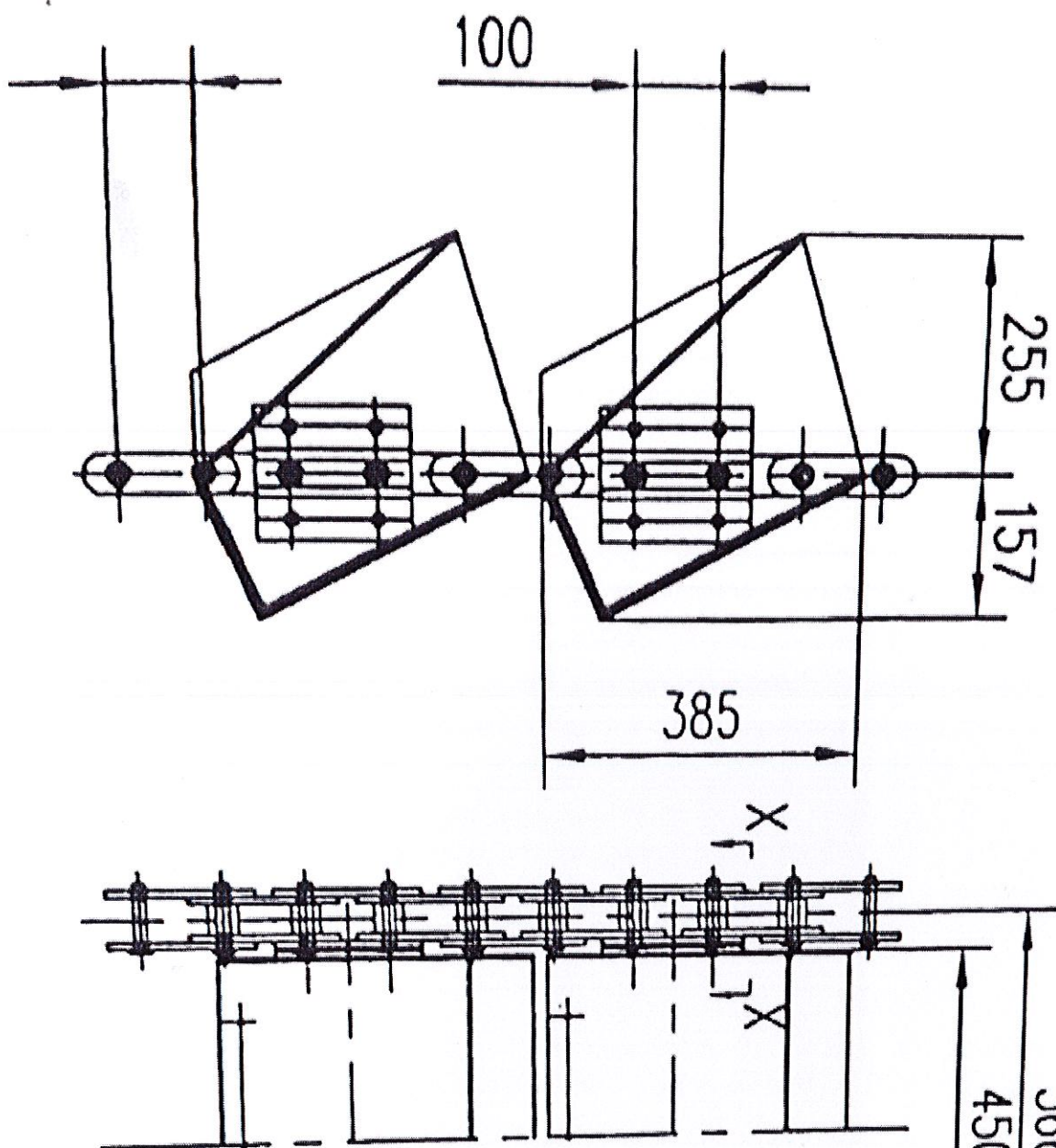
Chain details				
1	Type of elevator	Chain type		
2	Total height	60 meter		
3	Lifting capacity	125 tons/hr		
4	buffer capacity storage	120 tons		
5	Purpose of Chain	Holding the bucket to lift / transport fine cement		
6	Chain Model	NBH450Cx21.5m or its equivalent		
7	Number of Bucket	200 Pcs		
8	Chain Type	CNBH450-B17-A		
9	Conveying speed	0.97 m/s		
10	Average Tensile Strength	279x2 KN (min)		Test certificate is to be produced
11	Material Composition	Steel Alloy		Composition of material is to be considered to ensure average tensile strength to 279x2 KN or more
12	Number of link	1800 nos		
13	Fixing Accessories	Nut, Bolt, Washer, pin etc Rust free materials		Quantity will be worked out for fixing of 200 pcs Bucket
Note: All materials should be rust-free				

Other details				
14	10 Yrs Spare parts support	To be mentioned		To be quoted separately
15	Delivery time	To be mentioned by supplier		
16	Documentation	Supplier should provide 02 sets of as built drawing of Chain Link of all details both in printed and soft version.		
17	Warranty	To be mentioned the duration of warrantee with effect from the date of successfully installation (Not less than 12 months)		
18	Performance Guarantee	10% as a PG of CFR price.		
19	Local Transportation	Imported chain link is to be transported from sea port to factory site by supplier or its local agent.		To be quoted separately
20	Inspection & Test	Third Party (SGS, Bureau Veritas, as applicable etc.)		
21	Mode of payment	70% payment will be made after 1800 Pcs Chain link of Fine Bucket Elevator of Mill-1reaches at Mongla/Chittagong Port. 30% payment will be made after it reaches at Mongla Cement Factory. or Deferred L/C 90 days. or Deferred L/C 120 days.		
22	Latest shipment date	To be mentioned		
23	Experience (Similar)	To be mentioned		
24	H.S code	To be mentioned		

螺栓螺母,特殊垫圈M14x40,1032套/台
 SPECIAL BOLTS,NUTS AND WASHER
 FOR CONNECTION BUCKETS AND
 CONVEYOR CHAIN M14x40 1032

566 SETS/PER

450



斗子型号: NSC4045TA

斗子数量: 129个/台(含1个安装备件/台)

BUCKET TYPE AND QUANTITY:

NSC4045TA 123 PIECES/PER

(INCLUDING 1 PIECE/PER FOR SPARE)

输送链条型号: CNBH450-B17-A(用户采

用) 输送链条数量: 1032节/台(含8节安装备件

CONVERTOR CHAIN TYPE AND QUANTITY:

CNBH450-B17-A 1032 LINKS/PER

(THE USER TO PURCHASE)

(INCLUDING 8 LINKS/PER FOR SPARE)